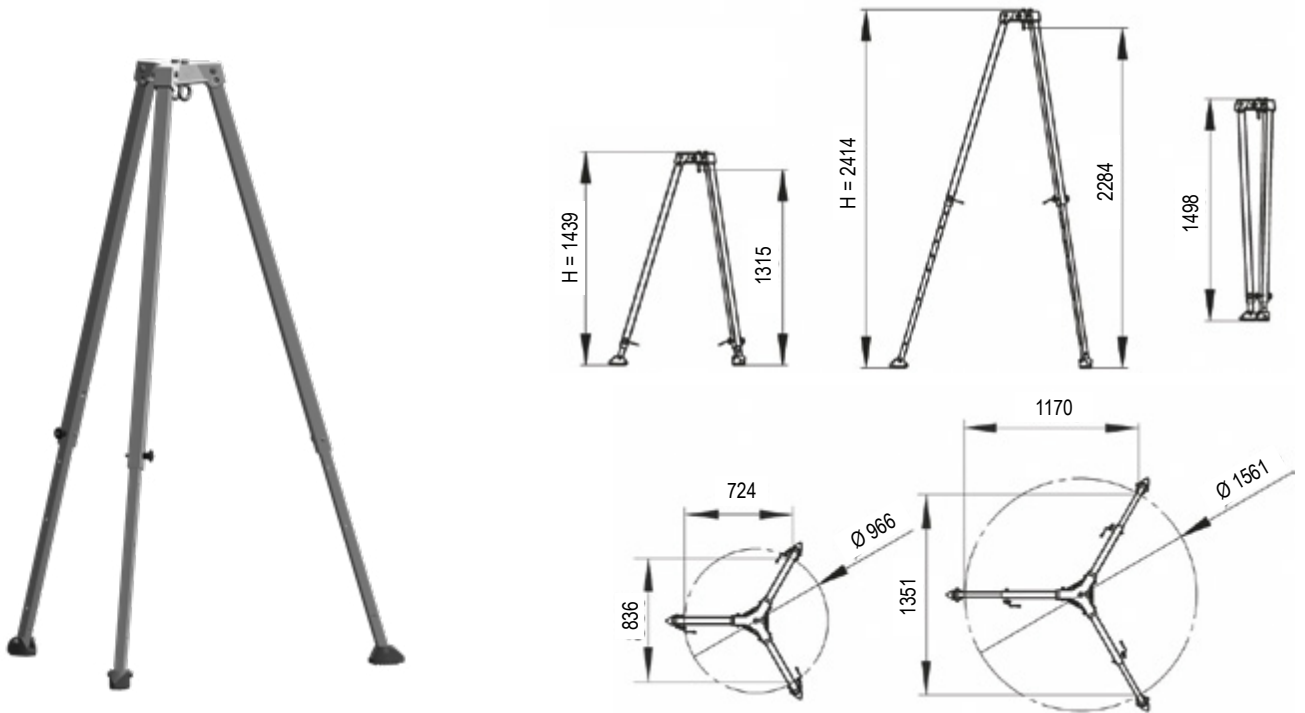


## Tripod DB-A2

according to EN 795:2012 Typ B und CEN/TS 16415:2013



Drawings not true to scale

Order No.:	Mounting diameter (B)	Height (H)	Transport length	Weight
41-50	Ø 966 mm bis Ø 1561 mm	1439 mm bis 2414 mm	1498 mm	24 kg
41 - PLW-DA	<b>OPTIONAL:</b> PLW Person and load winch			
41-54/DWS	<b>OPTIONAL:</b> Mounting bracket for ALKO Winch			
40-58	<b>OPTIONAL:</b> Tripod Carrying and Protection Bag			
41 - xx	<b>OPTIONAL:</b> HRA Height Safety Devices up to 42 m			
41-Z7	<b>OPTIONAL:</b> Manual Load Winch ALKO 901 for loads up to 300 kg with a maximum rope length of 20 m			

### Features:

- Lightweight aluminum tripod
- Load capacity 300 kg
- Corrosion-resistant coating
- Of 2 persons
- Adjustable to nearly double it's own height
- equipped with foldable rubber feet
- stable construction
- applicate with all IKAR HRA Rescue Devices (Typ HRA)
- **optional** : 41 - PLW, personnel and load winch, Nominal load 300 kg
- **optional** : Manual Load Winch ALKO 901 for loads up to 300 kg with a maximum rope length of 20 m
- **optional** : Mounting bracket for ALKO Winch
- **optional** : Tripod Carrying and Protection Bag
- **optional** : HRA Height Safety Devices up to 42 m

The assembly instructions for the tripods must be observed.